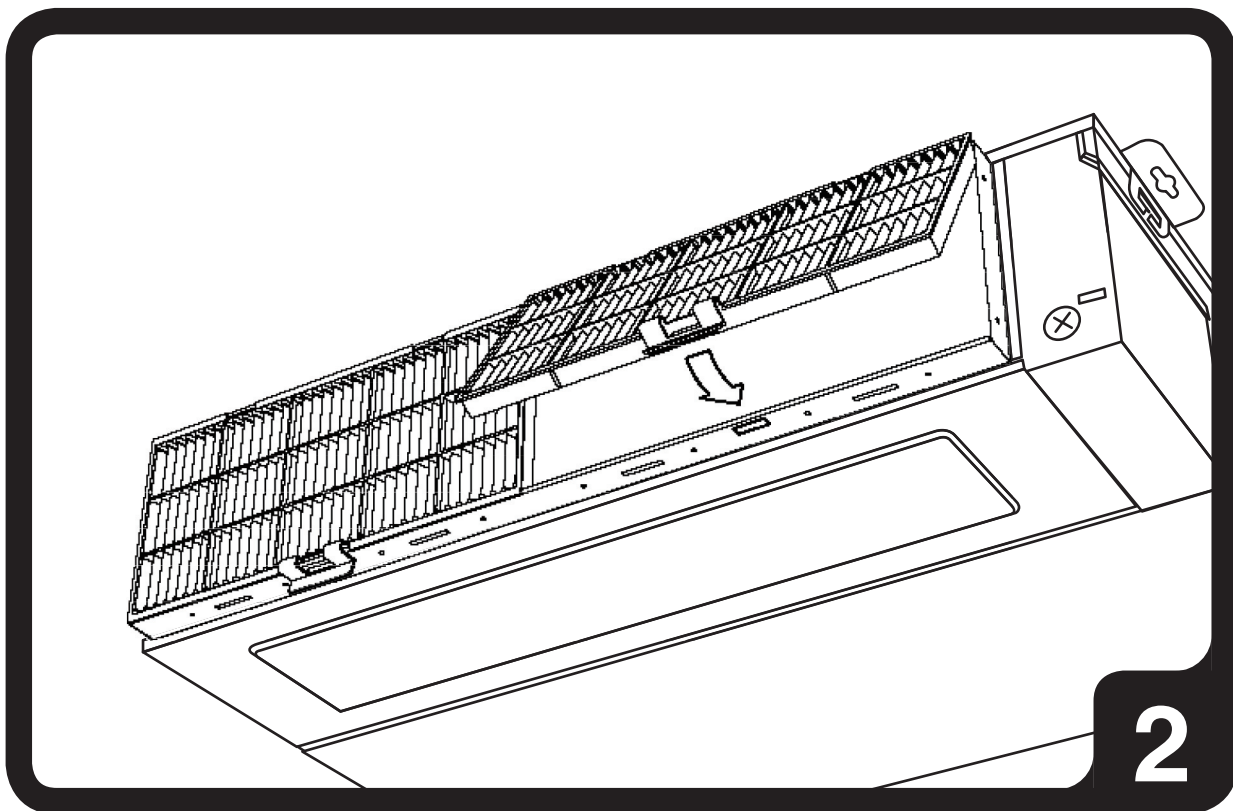
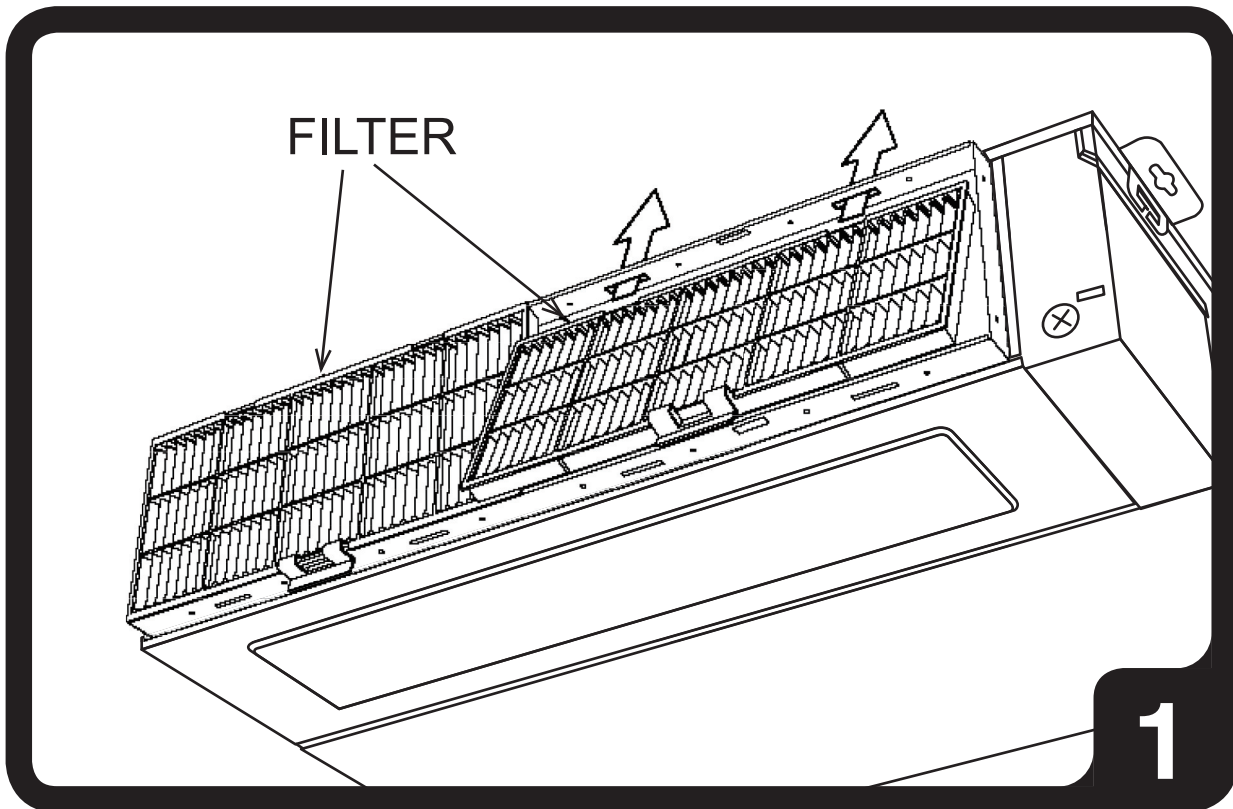


# INSTRUCTION SHEET UTD-LF25N



P / N 9374633012

