



NEW

**HIGH-EFFICIENCY REGULATED
THREADED PUMPS NMT SMART 40**

SMART

PERFORMANCE

High efficiency ECM motor series pumps with canned motor and permanent magnets. Variable and constant pressure control through display. For use in water system according to requirements of VDI 2035.

APPLICATIONS

All heating systems, air condition systems, closed loop cooling systems and industrial circulatory systems.

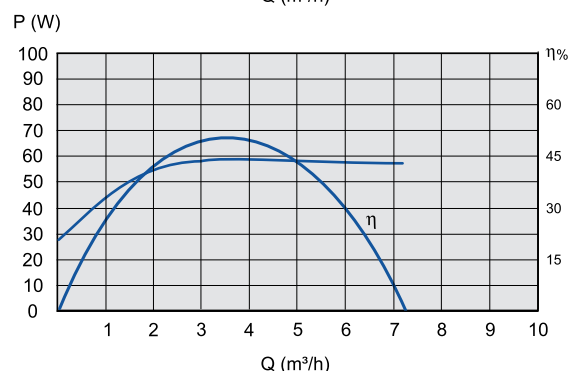
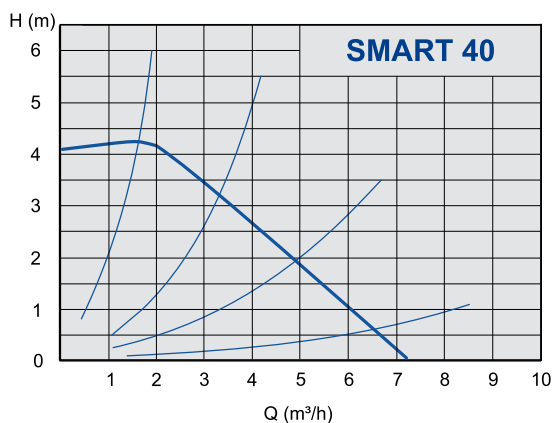
OPERATION

- Auto mode (default)
- Proportional pressure control
- Constant pressure control
- Constant speed
- Night mode

PRODUCT DESCRIPTION

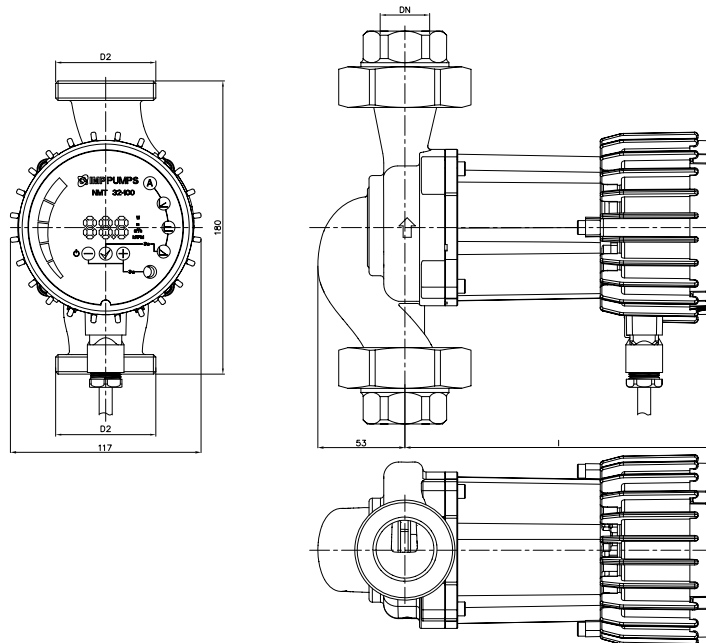
- High efficiency ECM technology
- Energy savings
- LED Display for control
- Easy handling and installation
- Plug & Play
- Robust and compact construction for long life
- Automatic venting
- Low noise operation
- Possibility of housing with cataphoretic
- Possibility of NMT communication module

| Pump component | Material |
|------------------|-----------------|
| Housing | Cast iron |
| Impeller | PES |
| Shaft | Stainless steel |
| Bearings | Graphite |
| Ventricular wall | Stainless steel |
| Rotor can | Stainless steel |



| NMT | Pipe connection | DN | Fitting length | N. Pressure | Weight | Code |
|---------------|-----------------|----|----------------|-------------|--------|-----------|
| SMART 25-40 | Rp 1 | 25 | 180 mm | PN 10 bar | 4 kg | 979523477 |
| SMART 32-40 | Rp 1 ¼ | 32 | 180 mm | PN 10 bar | 4,1 kg | 979523478 |
| SMART C 25-40 | Rp 1 | 25 | 180 mm | PN 10 bar | 4,2 kg | 979523488 |
| SMART C 32-40 | Rp 1 ¼ | 32 | 180 mm | PN 10 bar | 4,3 kg | 979523489 |

| Dimensions | L | DN | D2 | I |
|---------------|-----|----|------|-----|
| SMART 25-40 | 180 | 25 | 6/4" | 190 |
| SMART 32-40 | 180 | 32 | 2" | 190 |
| SMART C 25-40 | 180 | 25 | 6/4" | 222 |
| SMART C 32-40 | 180 | 32 | 2" | 222 |



TECHNICAL DATA

Flow Q up to 7,5 m³/h
 Pressure H up to 4 m
 Power 7 - 60 Watt
 Nominal pressure 10 bar

Permissible mediums

- Water, mixed with glycol, parameters must be checked in the mixture of water with over 20% of glycol
- Pure non-explosive liquid media free from mineral oils and without solid particles

Permissible temperature range

- Medium temperature from +2 °C to +110 °C with max. surroundings temperature up to +40 °C

Minimum inlet pressure

0,05 bar < 75 °C Temperature of medium
 0,28 bar < 90 °C Temperature of medium

Electrical connection

Voltage 1 ~ 230 V, 50/60 Hz

Motor/Electronics

- Motor with permanent magnets
- The energy index EEI ≤ 0,21
- Built-in motor protection
- 3 control modes (proportional head, constant head, constant speed)
- Degree of protection: IP 44
- Insulation class F